

Clean Power Supply

PS-1230 230V-type



Accuphase Laboratory, Inc.

1

Accuphase Clean Power Supply series is an epoch-making audio product which enables all end customers to improve their power supply quality by forming ideal power supply waveform with precise analog signal processing.

It shows a terrific performance to obtain the great audio and video quality.

After launching PS-1200 in 1997, Accuphase has been making the improvements one after another as known as PS-1200V, PS-1210, and PS-1220.

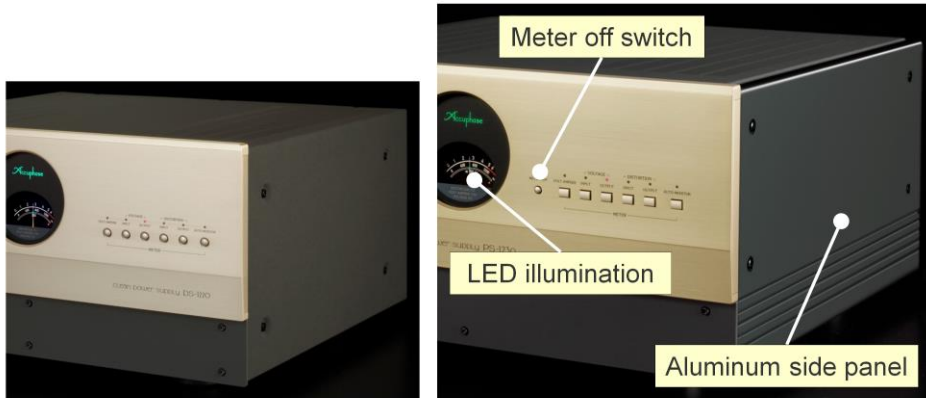
Now, Accuphase makes PS-1230 known to the public, which is the 5th generation Clean Power Supply succeeding PS-1220.

Main technical features of PS-1230 are...

- Enhanced peak output current
- Low power consumption
- Low Total Harmonic Distortion

Exterior

- Graceful aluminum side panel
- LED meter illumination



PS-1220

PS-1230

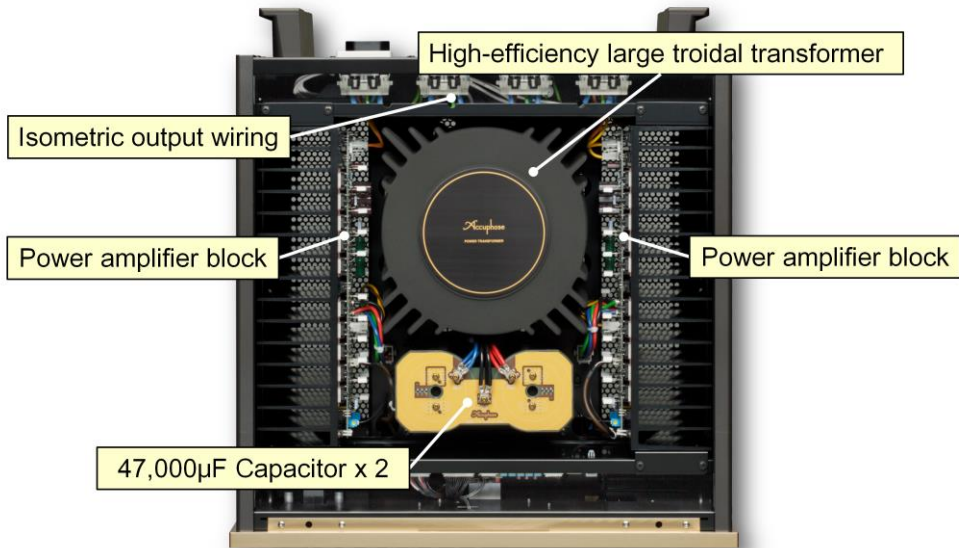
Accuphase Laboratory, Inc.

2

PS-1230 newly applies following exterior parts.

- Aluminum side panel same as amplifiers lineups.
- LED meter illumination for high reliability. The former model PS-1220 used conventional light bulbs.
- Meter Off switch: useful for a dim room.

Internal View



Accuphase Laboratory, Inc.

3

PS-1230 has a symmetric internal structure same as Accuphase stereo power amplifiers. Massive power supply section is arranged at a center position, and power amp blocks are on both sides.

These 2 power amp blocks are completely paralleled connection and it makes the output impedance low.

All the internal output wires are isometric and set at the same length. This helps its electric performance and sound quality on each AC outlet to keep the same level.

Technical advantages

- Peak output current



- No-load power consumption

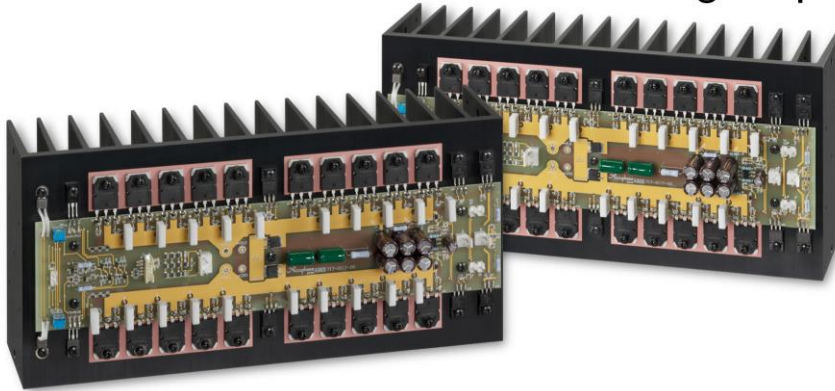


To achieve the enhancement of peak output current and the low output impedance, PS-1230 employs bi-polar transistors at power amp blocks instead of MOS-FET used for PS-1220.

As a bi-polar transistor allows us to obtain low distortion characteristics with lower idling current than MOS-FET, PS-1230 realizes 33% higher peak output current and 17% lower no-load power consumption than PS-1220.

Power amplifier blocks

- Output stage with 20-paralleled bi-polar transistors
- Balanced connection for internal signal path



Accuphase Laboratory, Inc.

5

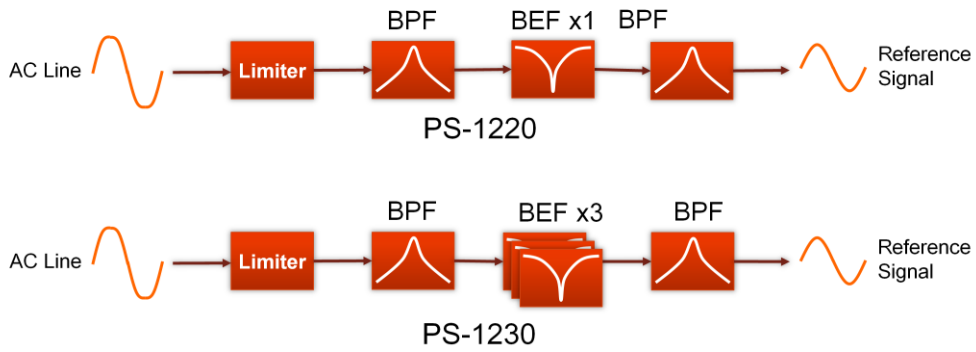
Power amp blocks consist of 2 circuits of 10-paralleled bi-polar transistors output stages and they are fully parallel driving.

This leads to the success of high peak output current and low output impedance.

The inputs to each power amp section are balanced connection.

Reference signal generator

- Guaranteed Total Harmonic Distortion
 - PS-1220: 0.1% → PS-1230: 0.08%



BPF: Band Pass Filter, BEF: Band Eliminate Filter

Accuphase Laboratory, Inc.

6

Reference signal generator is the circuit which eliminates the noise and distortion components in AC line signal with filters and generates the reference signal for waveform shaping.

PS-1230 has evolved this reference signal generator.

PS-1230 has 3 stages of Band Eliminate Filter increased from PS-1220's 1 stage, and they contribute to the low distortion of the reference signal.